

**CROWN**

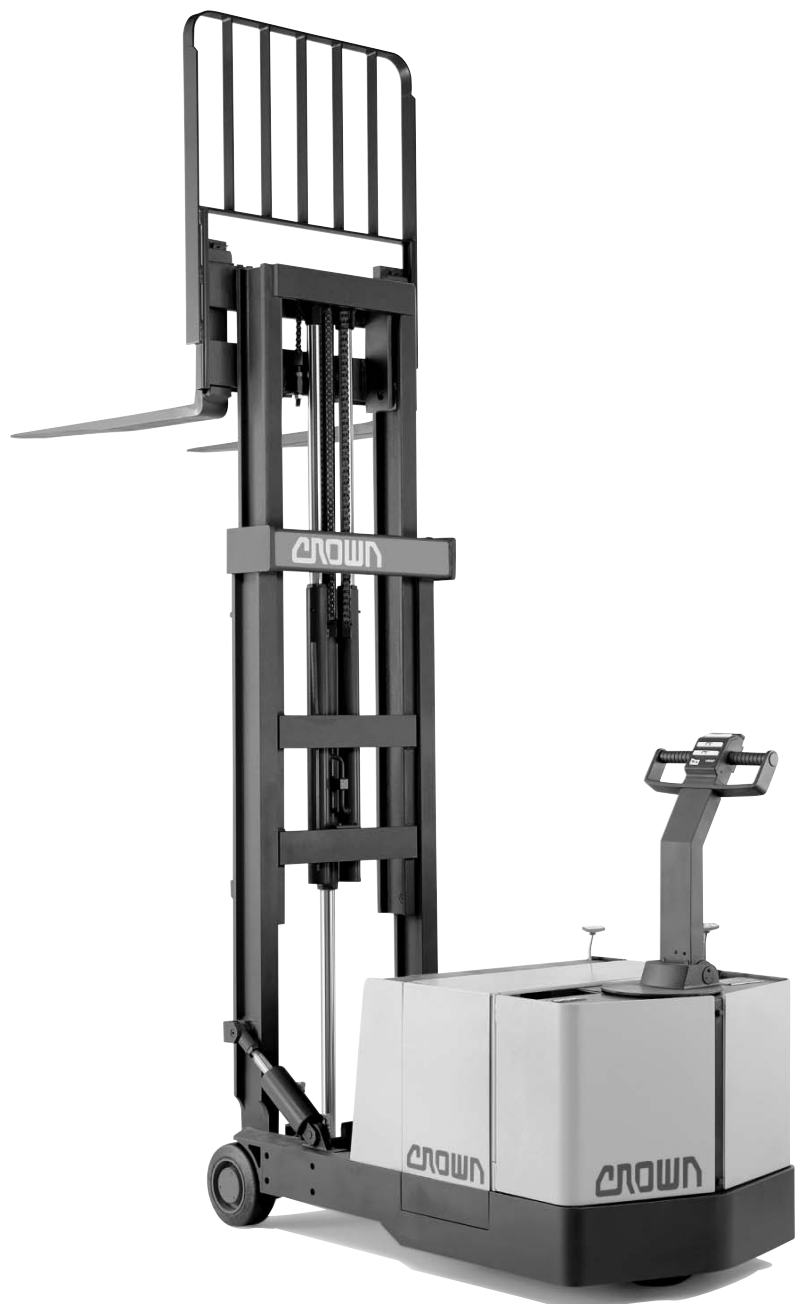
**Specifications**

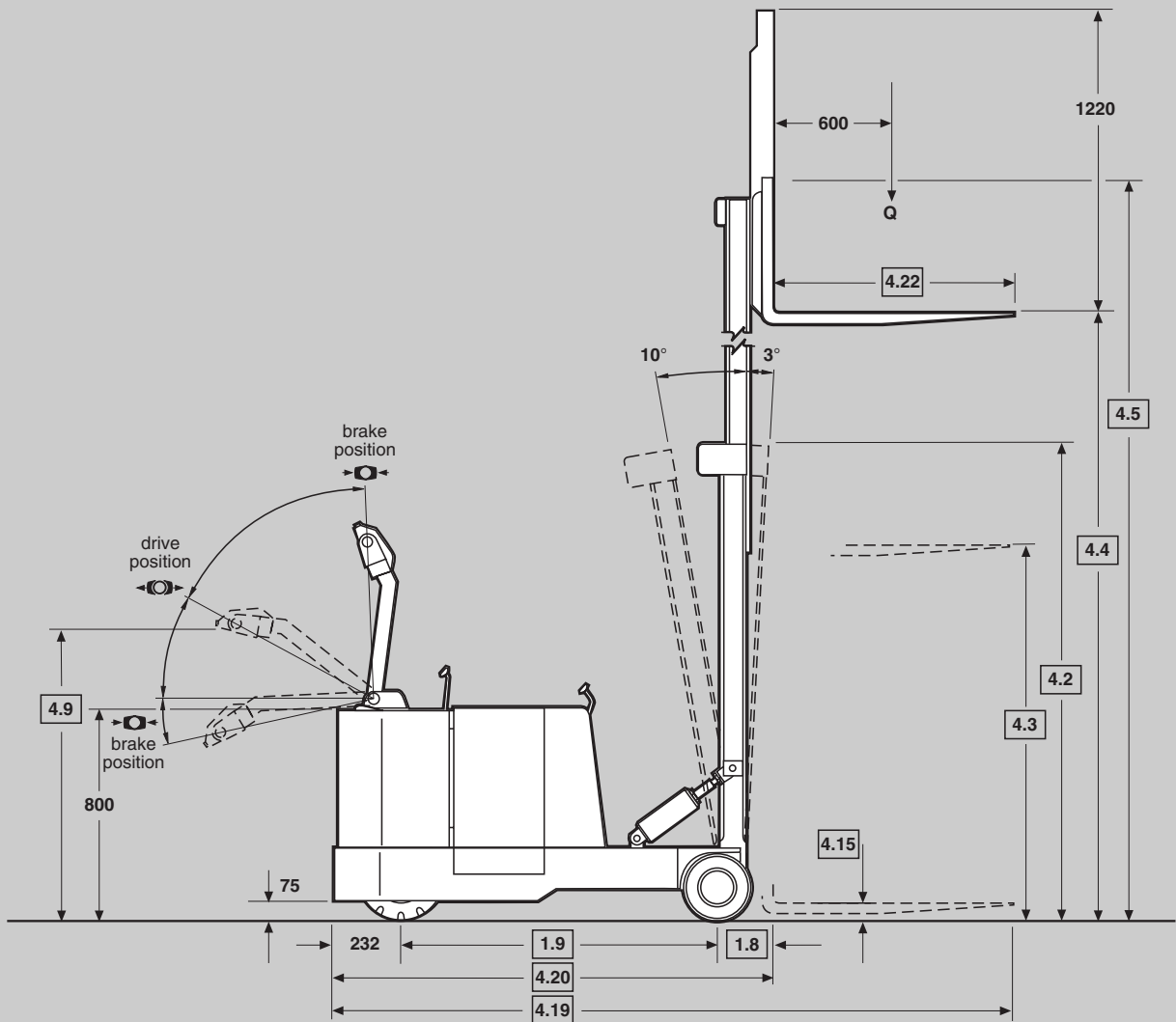
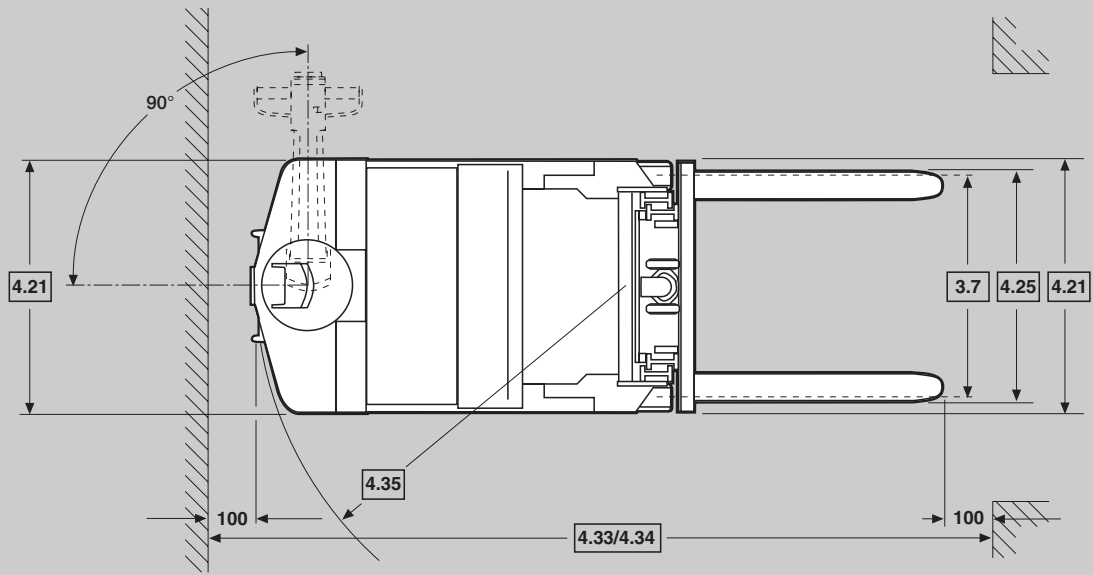
**WB Series**

Heavy Duty Pedestrian  
Counterbalanced Stacke

**WB**

**Series**





## WB Series

## Counterbalanced Pedestrian Stacker

|                     |                            | Crown Equipment Corporation                       |                                      |                  |              |   |                    |
|---------------------|----------------------------|---|--------------------------------------|------------------|--------------|---|--------------------|
| General Information | 1.1                        | <b>Manufacturer</b>                               |                                      |                  |              |   |                    |
|                     | 1.2                        | <b>Model</b>                                      |                                      |                  | WB TL        | WB TF                                       |                    |
|                     | 1.3                        | <b>Prime Mover</b>                                |                                      |                  | electric     | electric                                    |                    |
|                     | 1.4                        | <b>Operator Type</b>                              |                                      |                  | walkie       | walkie                                      |                    |
|                     | 1.5                        | <b>Load Capacity</b>                              |                                      | Q                | t            | 0.9   | 0.9                |
|                     | 1.6                        | <b>Load Centre</b>                                |                                      | c                | mm           | 600   | 600                |
|                     | 1.8                        | <b>Load Distance</b>                              |                                      | x                | mm           | 213   | 213                |
|                     | 1.9                        | <b>Wheel Base</b>                                 |                                      | y                | mm           | 1207  | 1207               |
|                     | 2.1                        | <b>Weight</b>                                     | less battery                         |                  | kg           | 1530, 1565                                  | 1540, 1570         |
| Tyres               | 3.1                        | <b>Tyre Type</b>                                  |                                      |                  | polyurethane | polyurethane                                |                    |
|                     | 3.2                        | <b>Wheel size</b>                                 | front                                |                  | mm           | Ø 330 x 114                                 | Ø 330 x 114        |
|                     | 3.3                        | <b>Wheel size</b>                                 | rear                                 |                  | mm           | Ø 254 x 100                                 | Ø 254 x 100        |
|                     | 3.5                        | <b>Wheels</b>                                     | number (x = driven) front/rear       |                  |              | 1 x / 2                                     | 1 x / 2            |
|                     | 3.6                        | <b>Track Width</b>                                | front                                | b10              | mm           | drive unit central                          | drive unit central |
|                     | 3.7                        | <b>Track Width</b>                                | rear                                 | b11              | mm           | 815   | 815                |
|                     | Dimensions                 | 4.1   | <b>Mast Tilt</b>                     | forward/backward |              | degree                                      | 3 / 10             |
| 4.2                 |                            | <b>Mast</b>                                       | collapsed height                     | h1               | mm           | 1805, 2110                                  | 1805, 2110         |
| 4.3                 |                            | <b>Free Lift</b>                                  | w.o. load backrest                   | h2               | mm           | 305   | 1300*, 1605*       |
| 4.4                 |                            | <b>Lift Height</b>                                |                                      | h3               | mm           | 2690, 3300                                  | 2690, 3300         |
| 4.5                 |                            | <b>Mast</b>                                       | extended height, w.o. load backrest* | h4               | mm           | 3210, 3820                                  | 3210, 3820         |
| 4.9                 |                            | <b>Tiller Arm Height</b>                          | in drive position min. / max.        | h14              | mm           | 825 / 1120                                  | 825 / 1120         |
| 4.15                |                            | <b>Lowered Fork Height</b>                        |                                      | h13              | mm           | 65  | 65                 |
| 4.19                |                            | <b>Overall Length</b>                             | at fork length: 1100 mm              | l1               | mm           | 2750  | 2750               |
| 4.20                |                            | <b>Headlength</b>                                 |                                      | l2               | mm           | 1650  | 1650               |
| 4.21                |                            | <b>Overall Width</b>                              | front / rear                         | b1/b2            | mm           | 914 / 914                                   | 914 / 914          |
| 4.22                |                            | <b>Fork Dimensions</b>                            |                                      | thxwxl           | mm           | 40 x 100 x 915/990/1065/1145/1220/1370/1525 |                    |
| 4.23                |                            | <b>Fork Carriage</b>                              | ISO class                            |                  |              | 2A  | 2A                 |
| 4.24                |                            | <b>Fork Carriage Width</b>                        | incl. load backrest                  | b3               | mm           | 910, 1065, 1220                             | 910, 1065, 1220    |
| 4.25                |                            | <b>Width Across Forks</b>                         |                                      | b5               | mm           | 200 - 838 (863 w.o. load backrest)          |                    |
| 4.31                |                            | <b>Ground Clearance</b>                           | with load below mast                 | m1               | mm           | 75  | 75                 |
| 4.32                |                            | <b>Ground Clearance</b>                           | centre wheelbase                     | m2               | mm           | 125   | 125                |
| 4.33                | <b>Working Aisle Width</b> | 1000 x 1200 traverse                              | Ast                                  | mm               | 2995         | 2995  |                    |
| 4.34                | <b>Working Aisle Width</b> | 800 x 1200 length                                 | Ast                                  | mm               | 3110         | 3110  |                    |
| 4.35                | <b>Turning Radius</b>      |   | Wa                                   | mm               | 1440         | 1440  |                    |
| Performance         | 5.1                        | <b>Travel Speed</b>                               | w./w.o. load                         |                  | km/h         | 4 / 4.8                                     | 4 / 4.8            |
|                     | 5.2                        | <b>Lift Speed</b>                                 | w./w.o. load                         |                  | m/s          | 0.19 / 0.32                                 | 0.14 / 0.32        |
|                     | 5.3                        | <b>Lower Speed</b>                                | w./w.o. load                         |                  | m/s          | 0.21 / 0.25                                 | 0.13 / 0.15        |
|                     | 5.7                        | <b>Max. Gradeability</b>                          | w. load                              |                  | %            | 5   | 5                  |
|                     | 5.10                       | <b>Service Brake</b>                              |                                      |                  |              | mechanical                                  | mechanical         |
| Motors              | 6.1                        | <b>Traction Motor</b>                             | 60 min rating                        |                  | kW           | 1.0   | 1.0                |
|                     | 6.2                        | <b>Lift Motor</b>                                 | 15% on time                          |                  | kW           | 3.3   | 3.3                |
|                     | 6.3                        | <b>Max. Battery Box Size</b>                      |                                      | lxwxh            | mm           | 333 x 804 x 580                             | 333 x 804 x 580    |
|                     | 6.4                        | <b>Battery Voltage</b>                            | nominal capacity 5h                  |                  | V/Ah         | 24 / 525                                    | 24 / 525           |
|                     | 6.5                        | <b>Battery Weight</b>                             | min. / max.                          |                  | kg           | 440 / 635                                   | 440 / 635          |
| Misc.               | 8.1                        | <b>Type of Controller</b>                         | drive                                |                  |              | resistor                                    | resistor           |
|                     | 8.2                        | <b>Available Working Pressure for Attachments</b> |                                      |                  | bar          | 82  | 82                 |
|                     | 8.3                        | <b>Available Oilflow for Attachments</b>          |                                      |                  | l/min        | 15.5  | 15.5               |

\*Subtract 730 mm from free lift, and add 730 mm to extended height.

# WB Series

# Counterbalanced Pedestrian Stacker

|                     |                |  |                                |                  |              |   |                    |                    |
|---------------------|----------------|--|--------------------------------|------------------|--------------|---|--------------------|--------------------|
| General Information | 1.1            | Manufacturer                               | Crown Equipment Corporation    |                  |              |   |                    |                    |
|                     | 1.2            | Model                                      |                                |                  | WB TL        | WB TF                                       | WB TT              |                    |
|                     | 1.3            | Prime Mover                                |                                |                  | electric     | electric                                    | electric           |                    |
|                     | 1.4            | Operator Type                              |                                |                  | walkie       | walkie                                      | walkie             |                    |
|                     | 1.5            | Load Capacity                              |                                | Q t              | 1.35         | 1.35  | 1.35               |                    |
|                     | 1.6            | Load Centre                                |                                | c mm             | 600          | 600   | 600                |                    |
|                     | 1.8            | Load Distance                              |                                | x mm             | 213          | 213   | 213                |                    |
|                     | 1.9            | Wheel Base                                 |                                | y mm             | 1334         | 1334  | 1334               |                    |
|                     | 2.1            | Weight                                     | less battery                   |                  | kg           | 1940, 1990                                  | 1950, 2000         | 2175               |
| Tyres               | 3.1            | Tyre Type                                  |                                |                  | polyurethane | polyurethane                                | polyurethane       |                    |
|                     | 3.2            | Wheel Size                                 | front                          |                  | mm           | Ø 330 x 114                                 | Ø 330 x 114        | Ø 330 x 114        |
|                     | 3.3            | Wheel Size                                 | rear                           |                  | mm           | Ø 254 x 100                                 | Ø 254 x 100        | Ø 254 x 100        |
|                     | 3.5            | Wheels                                     | number (x = driven) front/rear |                  |              | 1 x / 2                                     | 1 x / 2            | 1 x / 2            |
|                     | 3.6            | Track Width                                | front                          | b10              | mm           | drive unit central                          | drive unit central | drive unit central |
|                     | 3.7            | Track Width                                | rear                           | b11              | mm           | 840   | 840                | 840                |
|                     | Dimensions     | 4.1  | Mast Tilt                      | forward/backward |              | degree                                      | 3 / 10             | 3 / 10             |
| 4.2                 |                | Mast                                       | collapsed height               | h1               | mm           | 1805, 2110                                  | 1805, 2110         | 1805               |
| 4.3                 |                | Free Lift                                  | w.o. load backrest             | h2               | mm           | 305   | 1300*, 1605*       | 1910*              |
| 4.4                 |                | Lift Height                                |                                | h3               | mm           | 2690, 3300                                  | 2690, 3300         | 3910               |
| 4.5                 |                | Mast                                       | extended height, w.o. LBR*     | h4               | mm           | 3210, 3820                                  | 3210, 3820         | 4425               |
| 4.9                 |                | Tiller Arm Height                          | in drive position min./max.    | h14              | mm           | 825 / 1120                                  | 825 / 1120         | 825 / 1120         |
| 4.15                |                | Lowered Fork Height                        |                                | h13              | mm           | 65  | 65                 | 65                 |
| 4.19                |                | Overall Length                             | at fork length: 1100 mm        | l1               | mm           | 2880  | 2880               | 2880               |
| 4.20                |                | Headlength                                 |                                | l2               | mm           | 1780  | 1780               | 1780               |
| 4.21                |                | Overall Width                              | front / rear                   | b1/b2            | mm           | 914 / 940                                   | 914 / 940          | 914/940            |
| 4.22                |                | Fork Dimensions                            |                                | thxwxl           | mm           | 40 x 100 x 915/990/1065/1145/1220/1370/1525 |                    |                    |
| 4.23                |                | Fork Carriage                              | ISO class                      |                  |              | 2A  | 2A                 | 2A                 |
| 4.24                |                | Fork Carriage Width                        | incl. load backrest            | b3               | mm           | 910, 1065, 1220                             | 910, 1065, 1220    | 910, 1065, 1220    |
| 4.25                |                | Width Across Forks                         |                                | b5               | (mm)         | 200 - 838 ( 863 w/o load backrest)          |                    |                    |
| 4.31                |                | Ground Clearance                           | with load below mast           | m1               | mm           | 75  | 75                 | 75                 |
| 4.32                |                | Ground Clearance                           | centre wheelbase               | m2               | mm           | 125   | 125                | 125                |
| 4.33                |                | Working Aisle Width                        | 1000 x 1200 traverse           | Ast              | (mm)         | 3225  | 3225               | 3225               |
| 4.34                |                | Working Aisle Width                        | 800 x 1200 length              | Ast              | (mm)         | 3340  | 3340               | 3340               |
| 4.35                | Turning Radius |  | Wa                             | (mm)             | 1670         | 1670  | 1670               |                    |
| Performance         | 5.1            | Travel Speed                               | w./w.o. load                   |                  | km/h         | 4 / 4.8                                     | 4 / 4.8            | 4 / 4.8            |
|                     | 5.2            | Lift Speed                                 | w./w.o. load                   |                  | m/s          | 0.17 / 0.28                                 | 0.13 / 0.28        | 0.15 / 0.23        |
|                     | 5.3            | Lower Speed                                | w./w.o. load                   |                  | m/s          | 0.20 / 0.25                                 | 0.14 / 0.25        | 0.18 / 0.12        |
|                     | 5.7            | Gradeability                               | w. load                        |                  | %            | 5   | 5                  | 5                  |
|                     | 5.10           | Service Brake                              |                                |                  |              | mechanical                                  | mechanical         | mechanical         |
| Motors              | 6.1            | Traction Motor                             | 60 min rating                  |                  | kW           | 1.0   | 1.0                | 1.0                |
|                     | 6.2            | Lift Motor                                 | 15% on time                    |                  | kW           | 3.3   | 3.3                | 3.3                |
|                     | 6.3            | Max. Battery Box Size                      |                                | lxwxh            | mm           | 333 x 804 x 580                             | 333 x 804 x 580    | 333 x 804 x 580    |
|                     | 6.4            | Battery Voltage                            | nominal capacity 5h            |                  | V/Ah         | 24 / 525                                    | 24 / 525           | 24 / 525           |
|                     | 6.5            | Battery Weight                             | min. / max.                    |                  | kg           | 440 / 635                                   | 440 / 635          | 440 / 635          |
| Misc.               | 8.1            | Type of Controller                         | drive                          |                  |              | resistor                                    | resistor           | resistor           |
|                     | 8.2            | Available Working Pressure for Attachments |                                |                  | bar          | 103   | 103                | 103                |
|                     | 8.3            | Available Oilflow for Attachments          |                                |                  | l/min        | 13.2  | 13.2               | 13.2               |

\*Subtract 730 mm from free lift, and add 730 mm to extended height.

**WB Series**

**Counterbalanced Pedestrian Stacker**

|                     |            | Crown Equipment Corporation                      |                                |                  |       |   |                    |                    |
|---------------------|------------|--|--------------------------------|------------------|-------|---|--------------------|--------------------|
| General Information | 1.1        | Manufacturer                                     |                                |                  |       | WB TL   | WB TF              | WB TT              |
|                     | 1.2        | Model  |                                |                  |       | electric  | electric           | electric           |
|                     | 1.3        | Prime Mover                                      |                                |                  |       | walkie  | walkie             | walkie             |
|                     | 1.4        | Operator Type                                    |                                |                  |       |   |                    |                    |
|                     | 1.5        | Load Capacity                                    |                                | Q                | t     | 1.8   | 1.8                | 1.8                |
|                     | 1.6        | Load Centre                                      |                                | c                | mm    | 600   | 600                | 600                |
|                     | 1.8        | Load Distance                                    |                                | x                | mm    | 225   | 225                | 225                |
|                     | 1.9        | Wheel Base                                       |                                | y                | mm    | 1510  | 1510               | 1510               |
|                     | 2.1        | Weight   | less battery                   |                  | kg    | 2085, 2135  | 2135, 2190         | 2325               |
| Tyres               | 3.1        | Tyre Type  |                                |                  |       | polyurethane  | polyurethane       | polyurethane       |
|                     | 3.2        | Wheel Size                                       | front                          |                  | mm    | Ø 330 x 114   | Ø 330 x 114        | Ø 330 x 114        |
|                     | 3.3        | Wheel Size                                       | rear                           |                  | mm    | Ø 254 x 125   | Ø 254 x 125        | Ø 254 x 125        |
|                     | 3.5        | Wheels   | number (x = driven) front/rear |                  |       | 1 x / 2   | 1 x / 2            | 1 x / 2            |
|                     | 3.6        | Track Width                                      | front                          | b10              | mm    | drive unit central                                      | drive unit central | drive unit central |
|                     | 3.7        | Track Width                                      | rear                           | b11              | mm    | 865   | 865                | 865                |
|                     | Dimensions | 4.1  | Mast Tilt                      | forward/backward |       | degree  | 3 / 10             | 3 / 10             |
| 4.2                 |            | Mast   | collapsed height               | h1               | mm    | 1805, 2110  | 1805, 2110         | 1805               |
| 4.3                 |            | Free Lift  | w.o. load backrest             | h2               | mm    | 285   | 1310*, 1615*       | 1920*              |
| 4.4                 |            | Lift Height                                      |                                | h3               | mm    | 2690, 3300  | 2690, 3300         | 3910               |
| 4.5                 |            | Mast   | extended height, w.o. LBR*     | h4               | mm    | 3210, 3820  | 3210, 3820         | 4425               |
| 4.9                 |            | Tiller Arm Height                                | in drive position min. / max.  | h14              | mm    | 825 / 1120  | 825 / 1120         | 825 / 1120         |
| 4.15                |            | Lowered Fork Height                              |                                | h13              | mm    | 75  | 75                 | 75                 |
| 4.19                |            | Overall Length                                   | at fork length: 1100 mm        | l1               | mm    | 3070  | 3070               | 3070               |
| 4.20                |            | Headlength                                       |                                | l2               | mm    | 1970  | 1970               | 1970               |
| 4.21                |            | Overall Width                                    | front / rear                   | b1/b2            | mm    | 914 / 990   | 914 / 990          | 914 / 990          |
| 4.22                |            | Fork Dimensions                                  |                                | thxwxl           | mm    | 50 x 100 x 915 / 990 / 1065 / 1145 / 1220 / 1370 / 1525 |                    |                    |
| 4.23                |            | Fork Carriage                                    | ISO class                      |                  |       | 2A  | 2A                 | 2A                 |
| 4.24                |            | Fork Carriage Width                              | incl. load backrest            | b3               | mm    | 910, 1065, 1220   | 910, 1065, 1220    | 910, 1065, 1220    |
| 4.25                |            | Width Across Forks                               |                                | b5               | mm    | 200 ÷ 838 (863 w/o load backrest)                       |                    |                    |
| 4.31                |            | Ground Clearance                                 | with load below mast           | m1               | mm    | 75  | 75                 | 75                 |
| 4.32                |            | Ground Clearance                                 | centre wheelbase               | m2               | mm    | 125   | 125                | 125                |
| 4.33                |            | Working Aisle Width                              | 1000 x 1200 traverse           | Ast              | mm    | 3310  | 3310               | 3310               |
| 4.34                |            | Working Aisle Width                              | 800 x 1200 length              | Ast              | mm    | 3425  | 3425               | 3425               |
| 4.35                |            | Turning Radius                                   |                                | Wa               | mm    | 1745  | 1745               | 1745               |
| Performance         |            | 5.1  | Travel Speed                   | w./w.o. load     |       | km/h  | 4 / 4.8            | 4 / 4.8            |
|                     | 5.2        | Lift Speed                                       | w./w.o. load                   |                  | m/s   | 0.13 / 0.22   | 0.12 / 0.22        | 0.11 / 0.22        |
|                     | 5.3        | Lower Speed                                      | w./w.o. load                   |                  | m/s   | 0.13 / 0.10   | 0.11 / 0.10        | 0.13 / 0.10        |
|                     | 5.7        | Gradeability                                     | w. load                        |                  | %     | 5   | 5                  | 5                  |
|                     | 5.10       | Service Brake                                    |                                |                  |       | mechanical  | mechanical         | mechanical         |
| Motors              | 6.1        | Traction Motor                                   | 60 min rating                  |                  | kW    | 1.0   | 1.0                | 1.0                |
|                     | 6.2        | Lift Motor                                       | 15% on time                    |                  | kW    | 3.3   | 3.3                | 3.3                |
|                     | 6.3        | Max. Battery Box Size                            |                                | lxwxh            | mm    | 333 x 804 x 580   | 333 x 804 x 580    | 333 x 804 x 580    |
|                     | 6.4        | Battery Voltage                                  | nominal capacity 5h            |                  | V/Ah  | 24 / 525  | 24 / 525           | 24 / 525           |
|                     | 6.5        | Battery Weight                                   | min. / max.                    |                  | kg    | 440 / 635   | 440 / 635          | 440 / 635          |
| Misc.               | 8.1        | Type of Controller                               |                                |                  |       | resistor  | resistor           | resistor           |
|                     | 8.2        | Available Working Speed Pressure for Attachments |                                |                  | bar   | 124   | 124                | 124                |
|                     | 8.3        | Available Oilflow for Attachments                |                                |                  | l/min | 11.7  | 11.7               | 11.7               |

\*Subtract 730 mm from free lift, and add 730 mm to extended height.

**Standard Equipment**

1. Three speeds forward and reverse.
2. Battery compartment rollers.
3. Emergency power disconnect.
4. Key switch.
5. Horn.
6. Polyurethane load wheels.
7. Polyurethane drive tyre.
8. Third speed cutoff switch.
9. SBE battery connector.
10. Reversing button.
11. Load backrest
12. Carriage tilt.

**Optional Equipment**

1. SCR speed control.
2. Rubber tyre  
Ø 340 mm x 140 mm.
3. Battery discharge indicator.
4. Battery discharge indicator with lift lockout.
5. Hour metre.
6. Optional lift heights.
7. Corrosion conditioning.
8. Freezer conditioning.
9. Raise and lower buttons in control handle.

**Electrical System**

Standard equipment includes:

1. 24 volt electrical system.
2. Series wound high torque 1.0 kW drive motor.
3. Series wound high torque 3.3 kW lift motor.
4. Heavy duty pump contactor with replaceable tips.
5. Four heavy duty travel speed contactors. A solid-state time relay provides controlled acceleration between 2nd and 3rd speed.
6. Fused control and power circuits.
7. Colour coded wiring for ease of service.
8. Key switch.
9. Power disconnect lever.

**Hydraulic System**

Standard equipment includes:

1. Heavy duty motor and gear pump assembled as an integral unit.
2. Spool-type hydraulic control valve with built-in check and relief valve for efficient overload protection of lift and tilt circuits.
3. Pressure compensating flow control valve at base of lift cylinder regulates maximum lowering speed.
4. Lift cylinder diameters vary, and are designed to maintain optimum hydraulic pressure depending on capacity of truck. All WBTF and WBTT models are equipped with a three cylinder cluster to provide full free lift.
5. A conveniently located raise/lower lever is standard equipment. This throttle permits infinite control. Push button raise/lower controls can be installed in control handle as optional equipment.
6. Fixed flow control at side of tilt cylinder regulates maximum tilt speed.
7. Two double acting piston-type tilt cylinders.
8. A conveniently located lever for forward or backward tilt activation is standard. This throttle permits infinite control of tilt function.

**Drive Unit**

Gear drive from motor to drive wheel axle. The gear train is mounted on ball and tapered roller bearings, and operates in an oil-filled, sealed housing.

**Brake**

Internal expanding mechanical brake with Ø 127 mm drum and bonded brake linings. Brake is applied when control handle is within 15° of full vertical or full horizontal position.

**Power Unit Structure**

Access panel permits easy entry to all electric and hydraulic components.

**Lift Structure**

Outer and inner masts constructed of hot rolled carbon steel I-beam. Telescoping mast section nests in main upright to provide better visibility for operator.

**Carriage Rollers**

Alloy steel rollers contoured to fit mast are equipped with sealed ball bearings.

**Control Handle**

Control handle has dual twist-grips which control three speeds forward and reverse. Twist-grips return to neutral when released. The handle contains a large safety button which reverses the direction of the truck should the button touch the operator. A large horn button is standard equipment, as is a third speed cutoff switch.

**Safety Switches**

1. Third speed switch in control handle may be used to shut off high speed when operating in congested areas.
2. Limit switch automatically reduces maximum travel speed immediately upon extension of second and third stages on WBTF and WBTT models, and when forks extend above 1725 mm on WBTL models.
3. Reversing button on control handle reverses direction of travel when actuated by the operator.

**Safety Regulations**

Conforms to European safety standards.

Dimensions and performance data given may vary due to manufacturing tolerances. Performance is based on an average size vehicle and is affected by weight, condition of truck, how it is equipped and the conditions of the operating area. Crown products and specifications are subject to change without notice.