

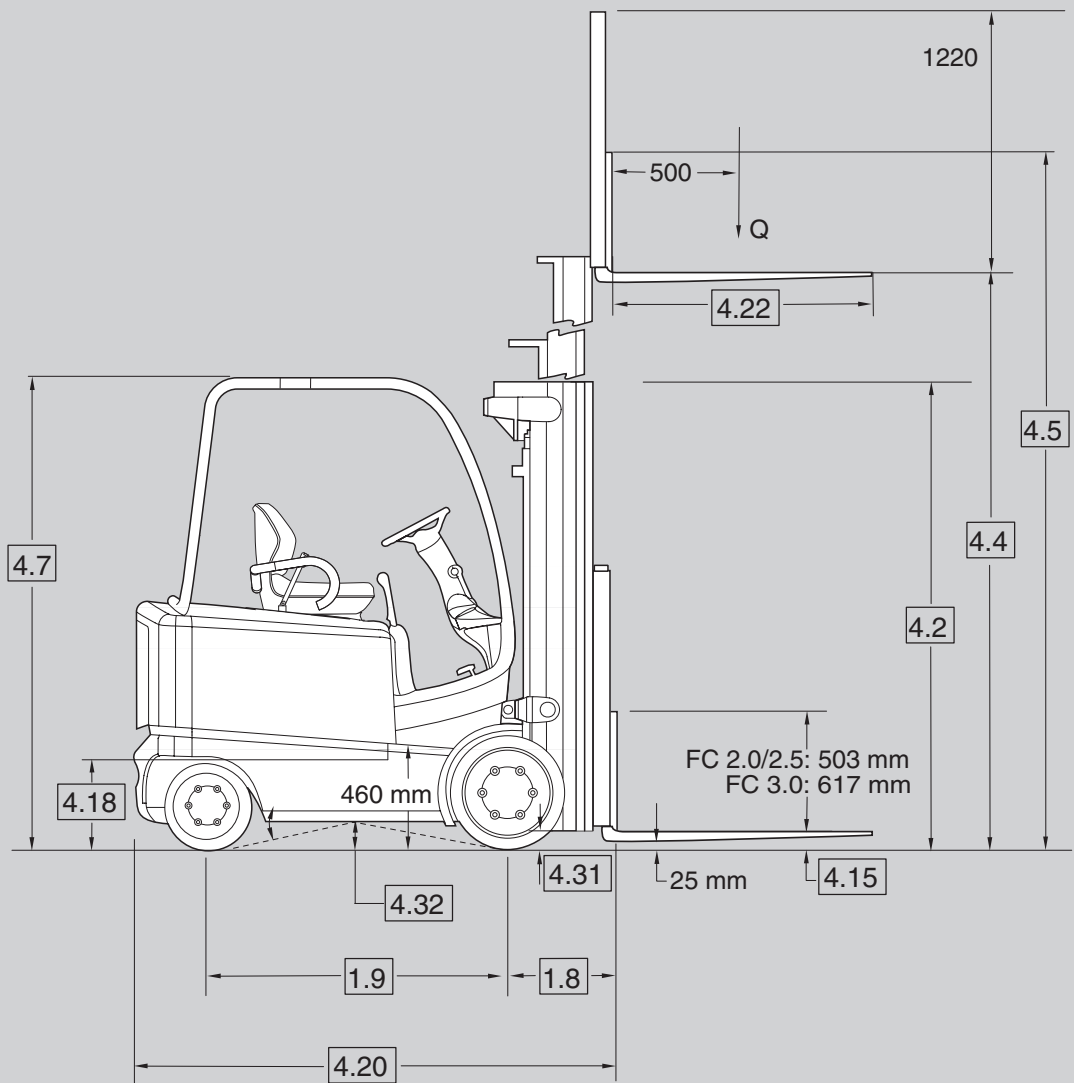
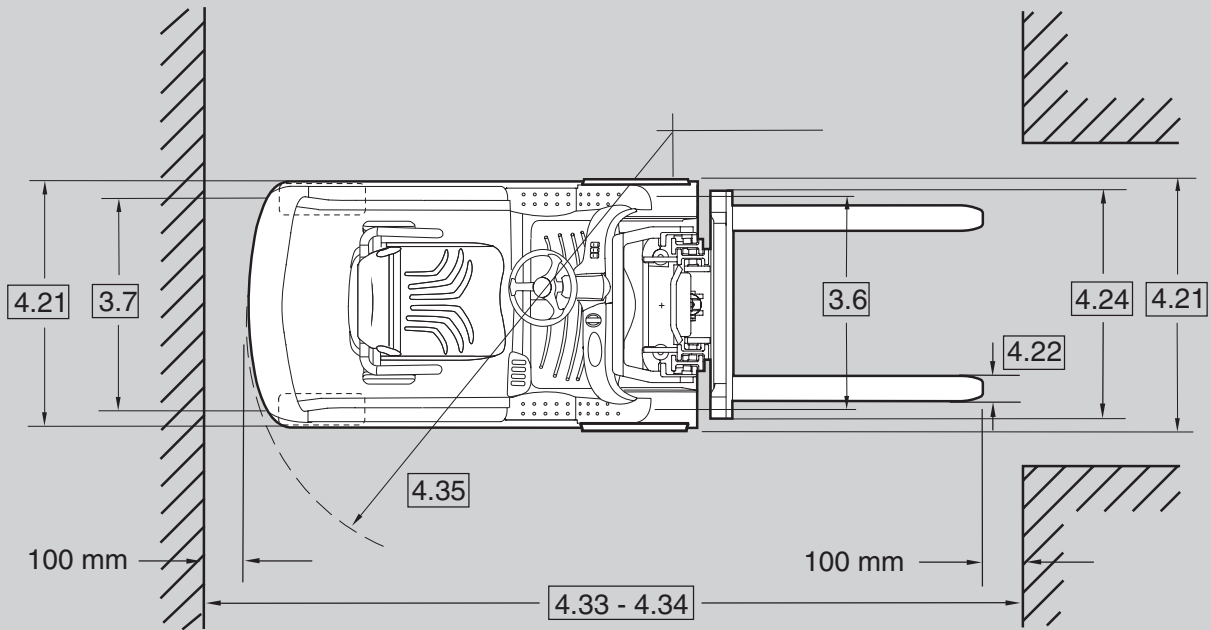
CROWN

# FC 5200 SERIES

## Specifications

Four Wheel Counterbalance Truck





General Information	1.1	<b>Manufacturer</b>	Crown Equipment Corporation				
	1.2	<b>Model</b>			FC 5215 - 2.0	FC 5225 - 2.0	
	1.3	<b>Power</b>	electric			48-Volt	
	1.4	<b>Operator Type</b>			Sit-down Rider Counterbalanced		
	1.5	<b>Load Capacity</b>		Q	kg	2000	
	1.6	<b>Load Centre</b>		c	mm	500	
	1.8	<b>Load Distance</b>		x	mm	400	
	1.9	<b>Wheel Base</b>		y	mm	1260	1390
	Weights	2.1	<b>Weight</b>	less battery		kg	3282
2.2		<b>Axle Load</b>	w. load front / rear		kg	5461 / 855	5491 / 860
2.3		<b>Axle Load</b>	w.o. load front / rear		kg	2170 / 2304	2200 / 2336
Tyres	3.1	<b>Tyre Type</b>				Cushion	
	3.2	<b>Wheel Size</b>	front		mm	533 x 178 x 381	
	3.3		rear		mm	406 x 152 x 267	
	3.5	<b>Wheels</b>	number (x=driven) front / rear			2x / 2	
	3.6	<b>Track Width</b>	standard front / rear	b10	mm	937 / 914	
	3.7		optional front / rear	b11	mm	1029 / 914	
Dimensions	4.1	<b>Mast Tilt</b>	forward / backward	degree	°	5 / 5	
	4.2	<b>Mast</b>	collapsed height	h1	mm	see table 1	
	4.3	<b>Free Lift</b>	w. / w.o. load backrest	h2	mm	see table 1	
	4.4	<b>Lift Height</b>		h3	mm	see table 1	
	4.5	<b>Mast</b>	extended height	h4	mm	see table 1	
	4.7	<b>Overhead Guard Height</b>	standard OHG / optional low OHG	h6	mm	2250 / 2120, 2185, 2300*	
	4.8	<b>Seat Height</b>	suspension seat	h7	mm	915	
	4.12	<b>Tow Hitch Height</b>		h10	mm	240	
	4.15	<b>Lowered Fork Height</b>		h13	mm	70	
	4.18	<b>Battery Floor Height</b>	w. / w.o. rollers		mm	442 / 434	
	4.20	<b>Headlength</b>		l2	mm	1990	
	4.21	<b>Overall Width</b>	standard front / rear		mm	1115 / 1100	
	4.21		option track enlargement front / rear		mm	1210 / 1100	
	4.22	<b>Fork Dimension</b>	standard	thxwxl	mm	45 x 100 x 990	
	4.22		option	l	mm	800, 915, 1065, 1100, 1145, 1220, 1370, 1525	
	4.23	<b>Fork Carriage</b>	ISO class			2 A	
	4.24	<b>Fork Carriage Width</b>	w. / w.o. load backrest	b3	mm	1120 / 965	
	4.31	<b>Ground Clearance</b>	with load below mast	m1	mm	76	
	4.32	<b>Ground Clearance</b>	centre wheelbase	m2	mm	122	
	4.33	<b>Working Aisle Width</b>	pallets 1000 x 1200 traverse	Ast	mm	3311	3451
4.34	<b>Working Aisle Width</b>	pallets 800 x 1200 length	Ast	mm	3491	3631	
4.35	<b>Turning Radius</b>		Wa	mm	1690	1830	
4.36	<b>Small. Ins. Turning Radius</b>		b13	mm	356		
Performance	5.1	<b>Travel Speed</b>	w. / w.o. load		km/h	17.7 / 19.7	
	5.2	<b>Lift Speed</b>	w. / w.o. load		m/s	0.57 / 0.58	
	5.3	<b>Lowering Speed</b>	w. / w.o. load (manual)		m/s	0.46	
			w. / w.o. load (EPV)		m/s	0.51	0.51
	5.9	<b>Acceleration Time</b>	w. / w.o. load (10 m)			4.2 / 3.8	
5.10	<b>Brake</b>	service / parking			Foot Motor - Electric Assist / Auto - Electric		
Motors	6.1	<b>Traction Motor</b>	60 min. rating		kW	2 x 7.9	
	6.2	<b>Lift Motor</b>	15% on time		kW	11.4	
	6.3	<b>Max. Battery Box Size</b>	DIN 43531, w.o. rollers	lxwxh	mm	692 x 983 x 590**	837 x 983 x 590**
	6.4	<b>Battery Voltage</b>	nominal capacity 5h		V / Ah	48 / 690	48 / 920
	6.5	<b>Battery Weight</b>	min. / max.		kg	1195 / 1450	1270 / 1815
Misc.	8.1	<b>Type of Control</b>				AC control	
	8.2	<b>Available Working Pressure for Attachments</b>			bar	210	

\* 2300 mm overhead guard height in combination with swivel seat only.

\*\* Contact Crown for battery drawings. Subtract 11 mm from battery box height with battery rollers.

General Information	1.1	<b>Manufacturer</b>	Crown Equipment Corporation					
	1.2	<b>Model</b>				FC 5215 - 2.5	FC 5225 - 2.5	FC 5245 - 2.5
	1.3	<b>Power</b>	electric			48-Volt		
	1.4	<b>Operator Type</b>				Sit-down Rider Counterbalanced		
	1.5	<b>Load Capacity</b>		Q	kg	2500		
	1.6	<b>Load Centre</b>		c	mm	500		
	1.8	<b>Load Distance</b>		x	mm	400		
	1.9	<b>Wheel Base</b>		y	mm	1260	1390	1390
	Weights	2.1	<b>Weight</b>	less battery		kg	3666	3570
2.2		<b>Axle Load</b>	w. load front / rear		kg	6239 / 605	6201 / 882	6232 / 887
2.3		<b>Axle Load</b>	w.o. load front / rear		kg	2268 / 2596	2259 / 2585	2264 / 2591
Tyres	3.1	<b>Tyre Type</b>				Cushion		
	3.2	<b>Wheel Size</b>	front		mm	533 x 178 x 381		
	3.3		rear		mm	406 x 152 x 267		
	3.5	<b>Wheels</b>	number (x=driven) front / rear			2x / 2		
	3.6	<b>Track Width</b>	standard front / rear	b10	mm	937 / 914		
	3.7		optional front / rear	b11	mm	1029 / 914		
Dimensions	4.1	<b>Mast Tilt</b>	forward / backward	degree	°	5 / 5		
	4.2	<b>Mast</b>	collapsed height	h1	mm	see table 1		
	4.3	<b>Free Lift</b>	w. / w.o. load backrest	h2	mm	see table 1		
	4.4	<b>Lift Height</b>		h3	mm	see table 1		
	4.5	<b>Mast</b>	extended height	h4	mm	see table 1		
	4.7	<b>Overhead Guard Height</b>	standard OHG / optional low OHG	h6	mm	2250 / 2120, 2185, 2300*		
	4.8	<b>Seat Height</b>	suspension seat	h7	mm	915		
	4.12	<b>Tow Hitch Height</b>		h10	mm	240		
	4.15	<b>Lowered Fork Height</b>		h13	mm	70		
	4.18	<b>Battery Floor Height</b>	w. / w.o. rollers		mm	442 / 434		
	4.20	<b>Headlength</b>		l2	mm	2070	2150	2230
	4.21	<b>Overall Width</b>	standard front / rear		mm	1115 / 1100		
	4.21		option track enlargement front / rear		mm	1210 / 1100		
	4.22	<b>Fork Dimension</b>	standard	thxwxl	mm	45 x 100 x 990		
	4.22		option	l	mm	800 / 915 / 1065 / 1100 / 1145 / 1220 / 1370 / 1525		
	4.23	<b>Fork Carriage</b>	ISO class			2 A		
	4.24	<b>Fork Carriage Width</b>	w. / w.o. load backrest	b3	mm	1120 / 965		
	4.31	<b>Ground Clearance</b>	with load below mast	m1	mm	76		
4.32	<b>Ground Clearance</b>	centre wheelbase	m2	mm	122			
4.33	<b>Working Aisle Width</b>	pallets 1000 x 1200 traverse	Ast	mm	3381	3451	3527	
4.34	<b>Working Aisle Width</b>	pallets 800 x 1200 length	Ast	mm	3561	3631	3706	
4.35	<b>Turning Radius</b>		Wa	mm	1760	1830	1905	
4.36	<b>Small. Ins. Turning Radius</b>		b13	mm	356	356	352	
Performance	5.1	<b>Travel Speed</b>	w. / w.o. load		km/h	17.7 / 19.7		
	5.2	<b>Lift Speed</b>	w. / w.o. load		m/s	0.52 / 0.58		
	5.3	<b>Lowering Speed</b>	w. / w.o. load (manual)		m/s	0.46		
			w. / w.o. load (EPV)		m/s	0.51	0.51	0.51
	5.9	<b>Acceleration Time</b>	w. / w.o. load (10 m)			4.4 / 3.9		
5.10	<b>Brake</b>	service / parking			Foot Motor - Electric Assist / Auto - Electric			
Motors	6.1	<b>Traction Motor</b>	60 min. rating		kW	2 x 7.9		
	6.2	<b>Lift Motor</b>	15% on time		kW	11.4		
	6.3	<b>Max. Battery Box Size</b>	DIN 43531, w.o. rollers	lxwxh	mm	692x983x590**	837x983x590**	924x983x590**
	6.4	<b>Battery Voltage</b>	nominal capacity 5h		V / Ah	48 / 690	48 / 920	48 / 920
	6.5	<b>Battery Weight</b>	min. / max.		kg	1195 / 1450	1270 / 1815	1410 / 1930
Misc.	8.1	<b>Type of Control</b>				AC control		
	8.2	<b>Available Working Pressure for Attachments</b>			bar	210		

\* 2300 mm overhead guard height in combination with swivel seat only.

\*\* Contact Crown for battery drawings. Subtract 11 mm from battery box height with battery rollers.

General Information	1.1	<b>Manufacturer</b>	Crown Equipment Corporation				
	1.2	<b>Model</b>			FC 5225 - 3.0	FC 5245 - 3.0	
	1.3	<b>Power</b>	electric		48-Volt		
	1.4	<b>Operator Type</b>			Sit-down Rider Counterbalanced		
	1.5	<b>Load Capacity</b>		Q	kg	3000	
	1.6	<b>Load Centre</b>		c	mm	500	
	1.8	<b>Load Distance</b>		x	mm	410	
	1.9	<b>Wheel Base</b>		y	mm	1390	
Weights	2.1	<b>Weight</b>	less battery		kg	3720	4048
	2.2	<b>Axle Load</b>	w. load front / rear		kg	7158 / 977	7269 / 1093
	2.3	<b>Axle Load</b>	w.o. load front / rear		kg	2443 / 3007	2132 / 3323
Tyres	3.1	<b>Tyre Type</b>				Cushion	
	3.2	<b>Wheel Size</b>	front		mm	533 x 203 x 381	
	3.3		rear		mm	406 x 152 x 267	
	3.5	<b>Wheels</b>	number (x=driven) front / rear			2x / 2	
	3.6	<b>Track Width</b>	standard front / rear	b10	mm	965 / 914	
	3.7		optional front / rear	b11	mm	1005 / 914	
Dimensions	4.1	<b>Mast Tilt</b>	forward / backward	degree	°	5 / 5	
	4.2	<b>Mast</b>	collapsed height	h1	mm	see table 2	see table 3
	4.3	<b>Free Lift</b>	w. / w.o. load backrest	h2	mm	see table 2	see table 3
	4.4	<b>Lift Height</b>		h3	mm	see table 2	see table 3
	4.5	<b>Mast</b>	extended height	h4	mm	see table 2	see table 3
	4.7	<b>Overhead Guard Height</b>	standard OHG / optional low OHG	h6	mm	2250 / 2120, 2185, 2300*	
	4.8	<b>Seat Height</b>	suspension seat	h7	mm	915	
	4.12	<b>Tow Hitch Height</b>		h10	mm	240	
	4.15	<b>Lowered Fork Height</b>		h13	mm	70	
	4.18	<b>Battery Floor Height</b>	w. / w.o. rollers		mm	442 / 434	
	4.20	<b>Headlength</b>		l2	mm	2235	2315
	4.21	<b>Overall Width</b>	standard front / rear		mm	1160 / 1100	
	4.21		option track enlargement front / rear		mm	1220 / 1100	
	4.22	<b>Fork Dimension</b>	standard	thxwxl	mm	45 x 127 x 990	
	4.22		option	l	mm	800, 915, 1065, 1100, 1145, 1220, 1370, 1525	
	4.23	<b>Fork Carriage</b>	ISO class			3 A	
	4.24	<b>Fork Carriage Width</b>	w. / w.o. load backrest	b3	mm	1120 / 965	
	4.31	<b>Ground Clearance</b>	with load below mast	m1	mm	76	
	4.32	<b>Ground Clearance</b>	centre wheelbase	m2	mm	122	
	4.33	<b>Working Aisle Width</b>	pallets 1000 x 1200 traverse	Ast	mm	3536	3607
4.34	<b>Working Aisle Width</b>	pallets 800 x 1200 length	Ast	mm	3716	3786	
4.35	<b>Turning Radius</b>		Wa	mm	1905	1975	
4.36	<b>Small. Ins. Turning Radius</b>		b13	mm	356	352	
Performance	5.1	<b>Travel Speed</b>	w. / w.o. load		km/h	17.7 / 19.7	
	5.2	<b>Lift Speed</b>	w. / w.o. load		m/s	0.47 / 0.58	0.41 / 0.58
	5.3	<b>Lowering Speed</b>	w. / w.o. load (manual)		m/s	0.46	
			w. / w.o. load (EPV)		m/s	0.52	0.52
	5.9	<b>Acceleration Time</b>	w. / w.o. load (10 m)			4.6 / 4.0	
5.10	<b>Brake</b>	service / parking			Foot Motor - Electric Assist / Auto - Electric		
Motors	6.1	<b>Traction Motor</b>	60 min. rating		kW	2 x 7.9	
	6.2	<b>Lift Motor</b>	15% on time		kW	11.4	
	6.3	<b>Max. Battery Box Size</b>	DIN 43531, w.o. rollers	lxwxh	mm	837 x 983 x 590**	924 x 983 x 590**
	6.4	<b>Battery Voltage</b>	nominal capacity 5h		V / Ah	48 / 920	48 / 920
	6.5	<b>Battery Weight</b>	min. / max.		kg	1270 / 1815	1410 / 1930
Misc.	8.1	<b>Type of Control</b>				AC control	
	8.2	<b>Available Working Pressure for Attachments</b>			bar	210	

\* 2300 mm overhead guard height in combination with swivel seat only.

\*\* Contact Crown for battery drawings. Subtract 11 mm from battery box height with battery rollers.

**Table 1 Mast**

FC 52XX - 2.0 / 2.5				TL								
4.1	<b>Tilt</b>	backward / forward	°	5 / 5						3 / 5		
4.2	<b>Collapsed Height</b>		h1 mm	2110	2260	2415	2565	2720	2870	3025	3175	
4.3	<b>Free Lift</b>	w. LBR	h2 mm	140								
		w.o. LBR	h2 mm	140								
4.4	<b>Lift Height</b>		h3 mm	3200	3505	3810	3935	4040	4320	4650	4930	
4.5	<b>Extended Height</b>	w. LBR	h4 mm	4420	4725	5030	5155	5260	5540	5870	6150	
		w.o. LBR	h4 mm	3790	4095	4400	4525	4630	4910	5240	5520	

FC 52XX - 2.0 / 2.5				TF								
4.1	<b>Tilt</b>	backward / forward	°	5 / 5						3 / 5		
4.2	<b>Collapsed Height</b>		h1 mm	1955	2110	2260	2415	2565	2720	2870	3025	
4.3	<b>Free Lift</b>	w. LBR	h2 mm	665	815	970	1120	1275	1425	1580	1730	
		w.o. LBR	h2 mm	1450	1605	1755	1910	2060	2215	2365	2520	
4.4	<b>Lift Height</b>		h3 mm	2895	3200	3505	3810	4110	4415	4670	4975	
4.5	<b>Extended Height</b>	w. LBR	h4 mm	4115	4420	4725	5030	5335	5640	5895	6200	
		w.o. LBR	h4 mm	3415	3725	4025	4335	4635	4945	5195	5505	

FC 52XX - 2.0 / 2.5				TT								
4.1	<b>Tilt</b>	backward / forward	°	5 / 5						3 / 5		
4.2	<b>Collapsed Height</b>		h1 mm	2110	2260	2415	2565	2720	2870	3025	3175	
4.3	<b>Free Lift</b>	w. LBR	h2 mm	815	970	1120	1275	1425	1580	1730	1885	
		w.o. LBR	h2 mm	1490	1645	1795	1950	2100	2255	2405	2560	
4.4	<b>Lift Height</b>		h3 mm	4775	5230	5485	5865	6245	6555	7010	7390	
4.5	<b>Extended Height</b>	w. LBR	h4 mm	5995	6450	6705	7085	7465	7775	8230	8610	
		w.o. LBR	h4 mm	5390	5850	6100	6485	6865	7175	7630	8010	

FC 52XX - 2.0 / 2.5				Quad				
4.1	<b>Tilt</b>	backward / forward	°	3 / 5				
4.2	<b>Collapsed Height</b>		h1 mm	2110	2260	2415	2565	2720
4.3	<b>Free Lift</b>	w. LBR	h2 mm	805	1010	1110	1265	1415
		w.o. LBR	h2 mm	1490	1695	1795	1950	2100
4.4	<b>Lift Height</b>		h3 mm	6095	6550	7010	7465	7925
4.5	<b>Extended Height</b>	w. LBR	h4 mm	7315	7770	8230	8685	9145
		w.o. LBR	h4 mm	6755	7215	7670	8130	8585

Table 2 Mast

FC 5225 - 3.0				TL					
4.1	<b>Tilt</b>	backward / forward	°	5 / 5					
4.2	<b>Collapsed Height</b>		h1 mm	2110	2260	2415	2565	2720	2870
4.3	<b>Free Lift</b>	w. LBR	h2 mm	150					
		w.o. LBR	h2 mm	150					
4.4	<b>Lift Height</b>		h3 mm	2995	3300	3605	3810	4040	4320
4.5	<b>Extended Height</b>	w. LBR	h4 mm	4215	4520	4825	5030	5260	5540
		w.o. LBR	h4 mm	3615	3920	4225	4425	4655	4935

FC 5225 - 3.0				TF						
4.1	<b>Tilt</b>	backward / forward	°	5 / 5						
4.2	<b>Collapsed Height</b>		h1 mm	1955	2110	2260	2415	2565	2720	2870
4.3	<b>Free Lift</b>	w. LBR	h2 mm	665	815	970	1120	1275	1425	1580
		w.o. LBR	h2 mm	1335	1490	1640	1795	1945	2100	2250
4.4	<b>Lift Height</b>		h3 mm	2740	3045	3350	3630	3935	4240	4495
4.5	<b>Extended Height</b>	w. LBR	h4 mm	3960	4265	4570	4850	5155	5460	5715
		w.o. LBR	h4 mm	3380	3690	3990	4280	4580	4890	5140

FC 5225 - 3.0				TT					
4.1	<b>Tilt</b>	backward / forward	°	5 / 5					
4.2	<b>Collapsed Height</b>		h1 mm	2110	2260	2415	2565	2720	2870
4.3	<b>Free Lift</b>	w. LBR	h2 mm	815	970	1120	1275	1425	1580
		w.o. LBR	h2 mm	1490	1645	1795	1950	2100	2255
4.4	<b>Lift Height</b>		h3 mm	4570	5030	5280	5665	6045	6350
4.5	<b>Extended Height</b>	w. LBR	h4 mm	5790	6250	6500	6885	7265	7570
		w.o. LBR	h4 mm	5195	5650	5905	6285	6665	6970

Table 3 Mast

FC 5245 - 3.0				TL					
4.1	<b>Tilt</b>	backward / forward	°	5 / 5					
4.2	<b>Collapsed Height</b>		h1 mm	2110	2260	2415	2565	2720	2870
4.3	<b>Free Lift</b>	w. LBR	h2 mm	150					
		w.o. LBR	h2 mm	150					
4.4	<b>Lift Height</b>		h3 mm	2920	3200	3530	3810	4040	4320
4.5	<b>Extended Height</b>	w. LBR	h4 mm	4140	4420	4750	5030	5260	5540
		w.o. LBR	h4 mm	3535	3815	4145	4425	4655	4935

FC 5245 - 3.0				TF						
4.1	<b>Tilt</b>	backward / forward	°	5 / 5						
4.2	<b>Collapsed Height</b>		h1 mm	1955	2110	2260	2415	2565	2720	2870
4.3	<b>Free Lift</b>	w. LBR	h2 mm	665	815	970	1120	1275	1425	1555
		w.o. LBR	h2 mm	1335	1490	1640	1795	1945	2100	2225
4.4	<b>Lift Height</b>		h3 mm	2665	2970	3275	3580	3885	4190	4445
4.5	<b>Extended Height</b>	w. LBR	h4 mm	3885	4190	4495	4800	5105	5410	5665
		w.o. LBR	h4 mm	3310	3620	3920	4230	4530	4840	5090

FC 5245 - 3.0				TT					
4.1	<b>Tilt</b>	backward / forward	°	5 / 5					
4.2	<b>Collapsed Height</b>		h1 mm	2110	2260	2415	2565	2720	2870
4.3	<b>Free Lift</b>	w. LBR	h2 mm	815	970	1120	1275	1425	1580
		w.o. LBR	h2 mm	1490	1645	1795	1950	2100	2255
4.4	<b>Lift Height</b>		h3 mm	4340	4800	5055	5435	5815	6120
4.5	<b>Extended Height</b>	w. LBR	h4 mm	5565	6020	6275	6655	7035	7340
		w.o. LBR	h4 mm	4965	5420	5675	6055	6435	6740

**Standard Equipment**

1. Crown's Access 1 2 3<sup>®</sup> Comprehensive System Control
2. Intrinsic Stability System™
  - Travel speed reduction and appropriate brake control when forks are above free lift
  - Forward tilt interlock reduces forward tilt above freelif to maximise stability
  - Counterweight designed for optimal stability
  - Ramp speed control
  - Cornering speed control
  - Ramp hold
3. e-GEN<sup>®</sup> braking system with automatic parking brake
4. Operator entry/exit
  - 460 mm step height
  - Large entry/exit "window"
  - Tubular overhead guard upright for easy hand hold
  - Contoured battery seat deck for easy entry/exit
  - Rounded floorboard edges
  - Large, uncluttered floorboard
5. Operator compartment design features
  - Low cowl for fork and floor visibility
  - Wide visibility window
  - Comfort suspension safety seat MSG 65 vinyl with hip restraint
  - Infinite adjustment steering wheel with sculpted column
  - Steering spinner knob
  - Adjustable armrest with Fingertip control levers
  - Thumb operated travel direction switch
  - Rubber floor mat/rubber covered pedals
  - Sculpted counterweight for rearward visibility
6. Crown-manufactured drive and lift motors
7. 48-volt system
8. SBE 320 blue battery connector
9. Crown display
  - Battery discharge indicator with lift interrupt and re-key feature
  - Hour meters/travel distance/stop watch
  - Pin code access capable
  - Event code display with five (5) key navigation
  - Access 1 2 3 diagnostics
  - P1, P2, P3 Performance tuning
  - Forward/reverse indicator

10. High visibility mast with in-line hose routing
11. Waterfall design overhead guard
12. Lift out or side removal battery access
13. Battery side retainer with interlock and fault identification
14. No tool lift out floorboards
15. Dock Performance Package
16. Colour-coded wiring
17. InfoPoint<sup>®</sup> System
18. Three-spool valve
19. O-ring face seal hydraulic fittings
20. Battery disconnect handle
21. Lift interrupt
22. AC hydraulics and on-demand steering
23. Tow Pin

**Optional Equipment**

1. Freezer and corrosion conditioning
2. InfoLink<sup>®</sup> Ready System
3. TL, TF, TT and Quad mast styles
4. Polished and tapered forks
5. Various fork lengths
6. Single or double quick disconnect hydraulic connectors
7. Rear view mirror
8. Attachment pressure regulator and gauge
9. Special forward tilt
10. Choice of hydraulic control levers
  - Dual-lever hydraulic control levers
  - Manual levers, urethane covered offset positioned control handles with tactile feedback forward reverse switch integrated in left side of steer column
11. Work lights
12. Storage tray
13. Suspension Seat fabric
14. Tilt Position Assist
15. Back-up, brake and tail light
16. Strobe lights
17. Audible travel alarm
18. Foot operated directional control
19. Battery retainer with extended handle
20. Full battery side doors
21. Battery compartment rollers
22. 48V accessory cable
23. Wide tread widths
24. Load backrest in various heights
25. Drive-in rack overhead guard
26. Non-marking smooth or Lugged cushion tyres

27. Work Assist<sup>®</sup> Accessories
  - Clip Pad
  - Hook
  - Storage Net
  - Magnetic Storage Bin
  - Seat Deck Clip Pad
  - Accessory clamp
  - Terminal mounting
  - Shrink wrap holder
  - Cup holder
  - Storage pocket
28. Rear post handle with horn button
29. Swivel Seat
30. Lights on with Keyswitch
31. Attachments:
  - Integral or hook on sideshifter
  - Carton Clamp
  - Fork Positioner with sideshifter
  - Push Pull
  - Single/Double
32. OHG Covers
  - Plexi-glass
  - 2x2 wire mesh
33. DIN A 320 battery connector

**Driveability**

The FC 5200 benefits from Crown's design and engineering excellence. Numerous features improve operator comfort and productivity.

A low 460 mm step height first greets the operator. A low, streamlined battery cover helps the operator glide into the truck's seat. The overhead guard is shaped to open up the entry/exit window and its tubular design provides a comfortable hand grip location for a variety of operator heights. The compact tilt steer column and steer wheel further facilitate entry/exit.

Tilt column is spring loaded to easily move up and away. Floorboard is uncluttered and rubber covered to insulate the operator from vibration. Sculpted floorboard design promotes visibility to the drive tires, which can reduce product and pallet damage. Brake pedal effort is reduced. Pedal to pedal and floor to pedal relationships are refined for comfort.

Better visibility can be seen everywhere you look. A low cowl for fork and carriage visibility, a high visibility mast, a compact steer column, a sculpted

floorboard and a "waterfall" overhead guard all contribute to superior visibility.

Hydraulic controls allow easy blending of up to 4 hydraulic functions. Fingertip controls are integrated into the adjustable armrest. Dual-lever controls are recommended when operators wear gloves. The manual levers are urethane covered with tactile feedback for comfort and easy selection. Control actuation forces are minimal and responsive.

Battery disconnect is easy to reach and operate. Easy to actuate rocker-type switches are conveniently located to select optional work lights or fan. A large convex horn button is housed in the centre of the wheel.

**Crown Drive System**

Crown has applied the latest generation AC drive system, enhanced with Access 1 2 3<sup>®</sup> technology.

Crown-manufactured, independently controlled, AC drive motors are specifically designed to optimise system integration between the traction and braking controls. The demand for high efficiency systems that closely match customer torque requirements is met with this generation control system.

Crown's Access 1 2 3 technology provides optimum performance and control by offering a communication interface for both operators and technicians, intelligent coordination of lift truck systems and simplified service with advanced diagnostics.

The Crown display is used for easy troubleshooting, access event history and set performance features. A distribution panel is conveniently located with all test points, control fuses and central wiring for easy troubleshooting.

Three modes of performance can be selected to accommodate operator experience or application requirements.



**e-GEN® Braking System**

Variable regenerative motor braking is optimised and assisted with electric friction brakes, eliminating maintenance associated with typical wet, disk or drum and shoe style brakes. The appropriate amount of stopping force is applied to match operator brake input and the current operating conditions of the truck.

The closed loop Access 1 2 3 traction control will keep the truck static until a travel input is requested, even when operating on a ramp. Automatic electric parking brakes activate when the operator leaves the seat, a travel input has not been requested or battery power has been disconnected.

**Steering System**

Full hydrostatic system with equal area, double-acting cylinder provides equally responsive steering rate both ways (4.8 turns lock to lock). Rugged axle frame, forged spindle and connecting links eliminate the need for adjustment. One-piece forged spindle and kingpin in tapered roller bearings for improved life and serviceability. Spherical bearings with tapered pins in connecting links eliminate any play in linkage. All bearing locations are sealed to exclude contaminants and are equipped with lubrication fittings.

Load-sense hydrostatic steering is an on-demand system which reduces energy consumption. Smooth, quiet steering control with minimal operator effort required at the steer tiller.

The steering geometry is matched to the controller to deliver smooth steering at all angles. The advantage is less tyre scrubbing which extends tyre life.

Both motors receive power, even in the tightest turns. This helps the truck to accelerate, turn and manoeuvre even from a full turn start position.

Cornering speed control regulates the drive motor's output by the turning degree of the truck. The advantage is smooth, stable steering which may increase operator confidence and productivity.

**Hydraulics**

Premium hydraulic function control valve provides precise metering of lift, tilt and accessory functions. Compensating section in the valve provides repeatable function speed regardless of load condition. Hydraulic lever actuation is minimal, reducing stress. Compensating section also improves overall system efficiency.

Tilt compensator prevents tilt from lunging or speeding up when doing simultaneous functions.

Crown lift/tilt interlock system provides extended forward tilt at low fork heights, reduced forward tilt at elevated heights to improve truck stability when forks are elevated.

The control valves' modular design allows easy addition of accessory functions. Maximum lowering speed is limited by pressure compensating flow control valve and velocity fuses. Integrated hydraulic cylinder cushions soften mast staging. All lift cylinder rams are plated and retract into the hydraulic oil for additional corrosion protection when forks are lowered.

The steel oil reservoir is integral to the frame which helps to dissipate hydraulic oil heat. This clean, leak-free design includes suction strainer with separate, easily accessible fill port and

dipstick with filtered breathers. Oil is returned through a replaceable spin-on type oil filter. The hydraulic system provides continuous filtration.

**Crown Manufactured Mast Assembly**

The mast has four points of attachment to the truck for good load force distribution. Two mounting points are at the frame, where tilt cylinders attach. Tilt cylinders use spherical bushings to resist off centre load distortions. Two large diameter studs secure the mast to the drive units.

High visibility mast features nested-rail design with lift cylinders positioned behind the rails. Heavy-duty mast is engineered to provide smooth reliable operation. Large hydraulic hose reeves and hose placement are engineered to reduce hose wear and increase hose life. Hose routing places hoses in-line versus side-by-side to reduce visual interference. Large lift chains are used for long reliable service life. Large diameter lift cylinders provide smooth operation.

Optional TL, TF, TT and quad mast is available.

**Batteries**

Battery deck lid releases easily to expose battery for lift out or side battery removal. Optional battery rollers for use with mechanised extraction equipment. A low battery side retainer is standard. Full battery side doors are optional.

**Carriage**

An ITA Class II or III is standard. An optional Crown integral sideshifter and hook on type ITA sideshifters or other attachments can be easily added. Optional fork lengths are available.

**Drive Units**

Two Crown-manufactured independent double reduction planetary gear drive offers 22 to 1 gear reduction. The first and second reduction use helical gears for low-noise and efficiency. The drive unit gears are splash lubricated in an oil bath.

**Other Options**

1. Audible travel alarm
2. Flashing lights

Safety considerations and dangers associated with audible travel alarms and flashing lights include:

- Multiple alarms and/or lights can cause confusion.
- Workers ignore the alarms and/or lights after day-in and day-out exposure.
- Operator may transfer the responsibility for "looking out" to the pedestrians.
- Annoys operators and pedestrians.

**Safety Regulations**

Conforms to European safety standards. Dimensions and performance data given may vary due to manufacturing tolerances. Performance is based on an average size vehicle and is affected by weight, condition of truck, how it is equipped and the conditions of the operating area. Crown products and specifications are subject to change without notice.

