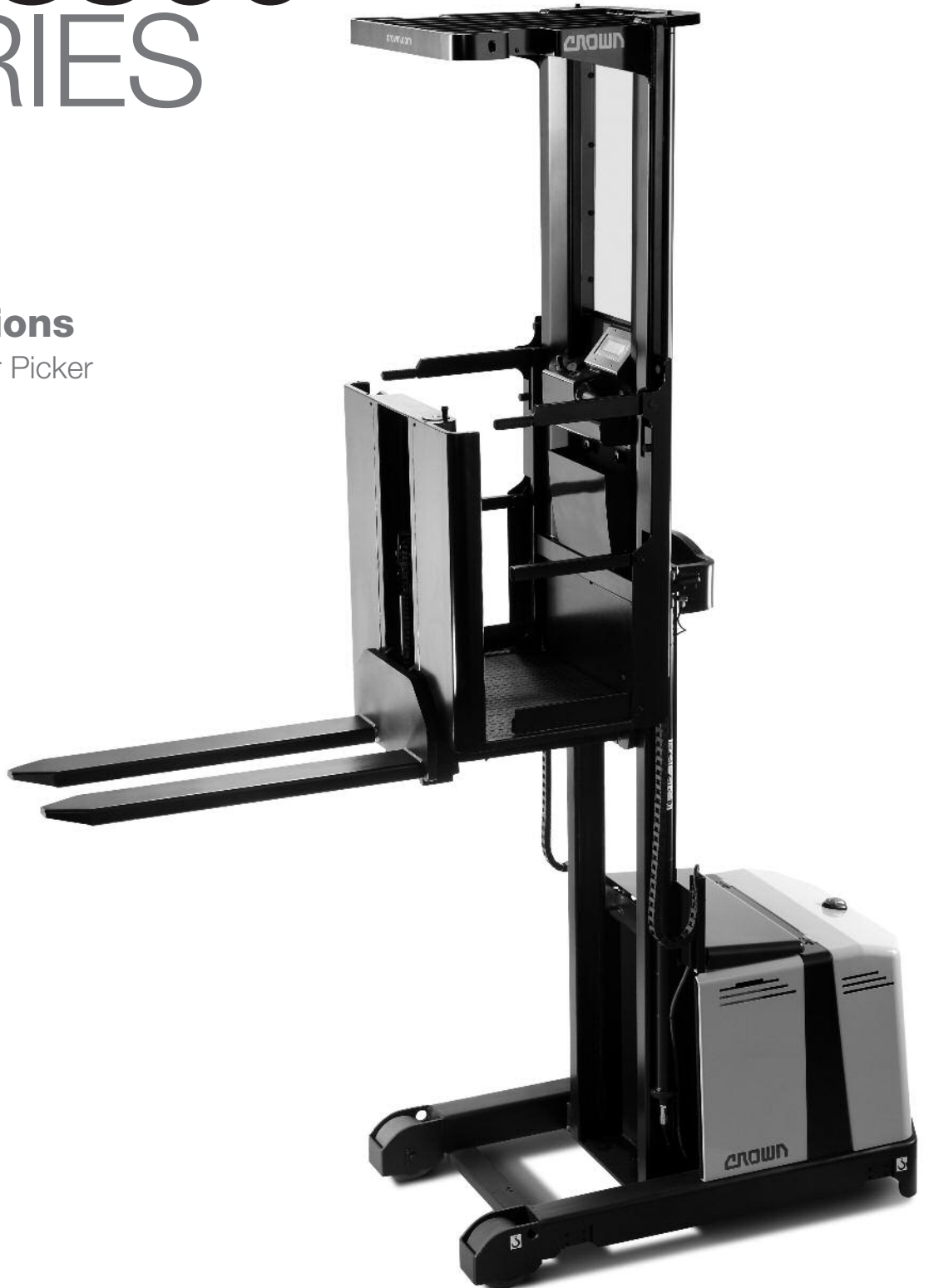


CROWN

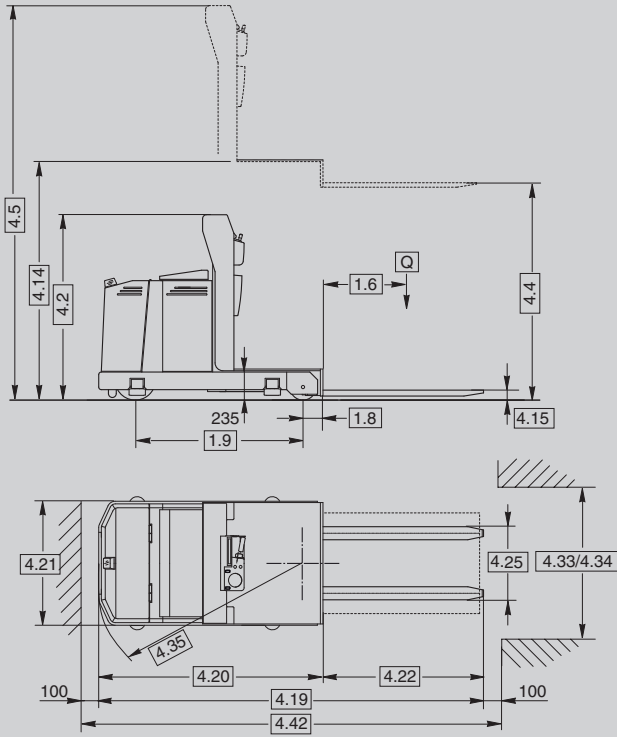
# LP 3500 SERIES

## Specifications

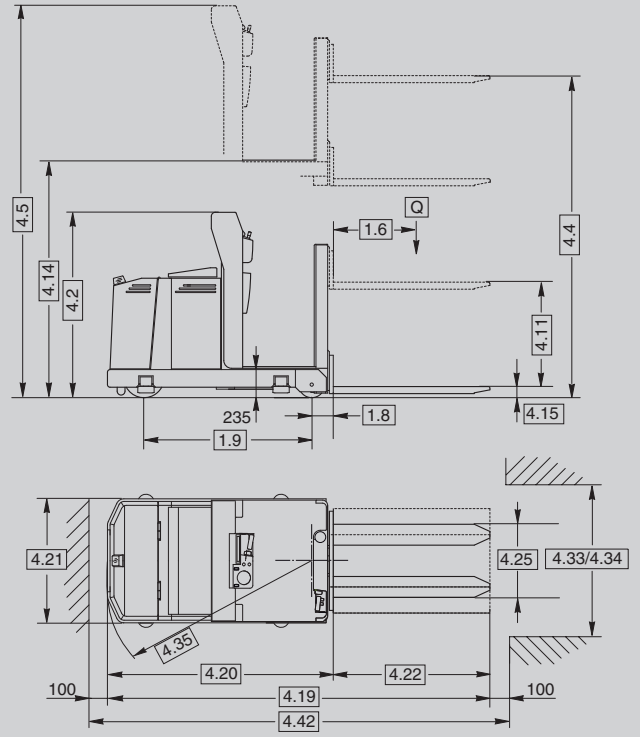
Mid Level Order Picker



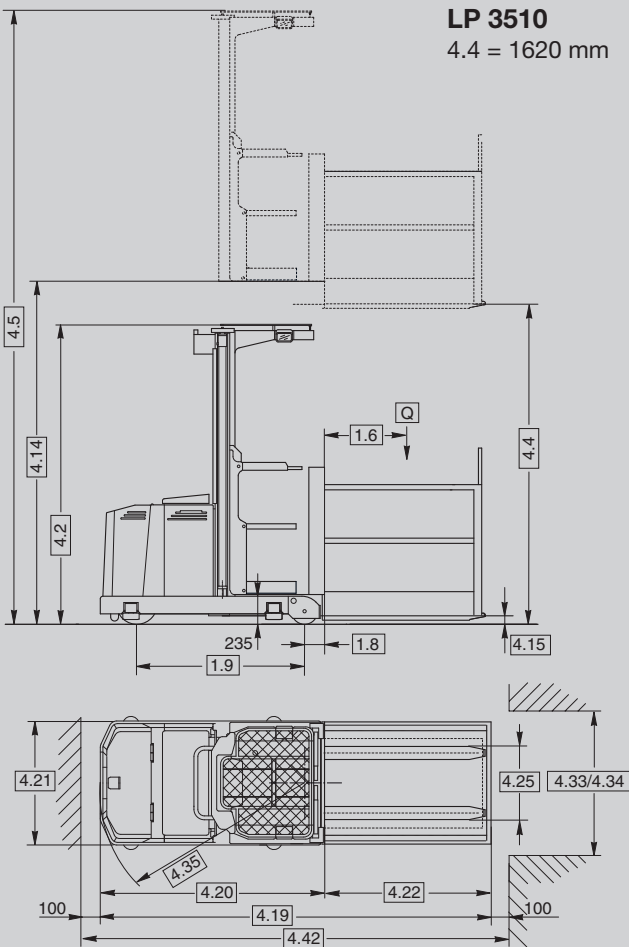
**LP 3510**  
4.4 = 1025 mm



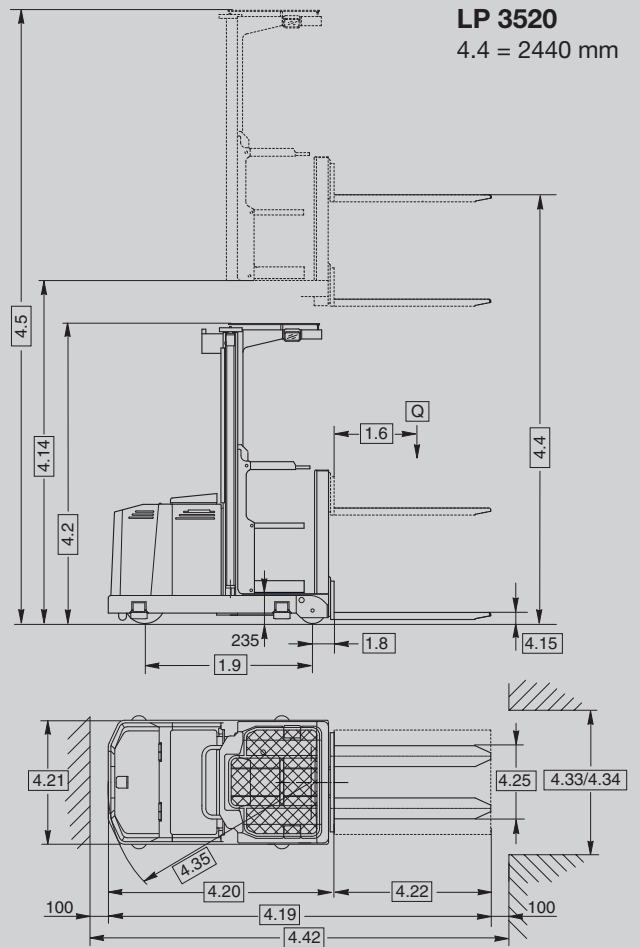
**LP 3520**  
4.4 = 1845 mm



**LP 3510**  
4.4 = 1620 mm



**LP 3520**  
4.4 = 2440 mm



General Information	1.1	Manufacturer	Crown Equipment Corporation						
	1.2	Model			LP 3510-1.0	LP 3520-1.0			
	1.3	Power			electric				
	1.4	Operator Type			order picker				
	1.5	Load Capacity	Q	t	1.0				
	1.6	Load Centre	c	mm	600				
	1.8	Load Distance	x	mm	153	165*			
	1.9	Wheel Base	y	mm	1285				
	Weights	2.1	Weight	less battery	kg	1227	1417	1297	1437
2.2		Axle Load	w. load, front	kg	374	440	368	399	
			w. load, rear	kg	2316	2445	2392	2501	
2.3		Axle Load	w.o. load, front	kg	946	1115	940	980	
	w.o. load, rear		kg	654	675	730	830		
Tyres	3.1	Tyres Type			Vulkollan				
	3.2	Wheel Size	front	mm	Ø 310 x 100				
			rear	mm	Ø 200 x 105				
	3.5	Wheels	no. (x=driven) front/rear		1x /2				
	3.6	Track Width	front	b10	mm	centre			
			rear	b11	mm	820			
Dimensions	4.2	Mast	collapsed height	h1	mm	1420	2300	1420	2300
	4.4	Lift Height		h3+h9+h13	mm	1025	1620	1845	2440
	4.5	Mast	extended height	h4	mm	2380	3855	2380	3855
	4.7	Overhead Guard Height		h6	mm	-	2300	-	2300
	4.8	Operator Stand Height	lowered	h7	mm	235			
	4.11	Additional Lift		h9	mm	-	800		
	4.14	Operator Stand Height	raised	h12	mm	1195	1790	1195	1790
	4.15	Fork Height	lowered	h13	mm	65	85**		
	4.19	Overall Length		l1	mm	2948	2880*		
	4.20	Headlength		l2	mm	1718	1730*		
	4.21	Overall Width	front / rear	b1/b2	mm	950			
	4.21a	Overall Width	operator platform		mm	930			
	4.22	Fork Dimension	standard	thxwxl	mm	35 x 100 x 1230	55 x 160 x 1150***		
			optional lengths	l	mm	830 / 1030	800 / 1000		
	4.24	Fork Carriage Width		b3	mm	-	640 / 760****		
	4.25	Width Across Forks		b5	mm	560 / 650	560 / 680*****		
	4.27	Width Across Guide Rollers		b6	mm	1020			
	4.31	Ground Clearance	with load below mast	m1	mm	65			
	4.33	Working Aisle Width	1000x1200 traverse	Ast	mm	1400 •			
	4.34	Working Aisle Width	800x1200 traverse	Ast	mm	1400 •			
4.35	Turning Radius		Wa	mm	1589				
4.42	Transfer Aisle Width*	1000x1200 traverse	Ast3		3088 ▲	3100			
		800x1200 traverse	Ast3		2915 ▲	2925			
Performance	5.1	Travel Speed	w./w.o. load	km/h	9.5 / 10.5				
	5.2	Lift Speed	w./w.o. load	m/s	0.12 / 0.16	0.12 / 0.16	0.12 / 0.16	0.12 / 0.16	
	5.3	Lowering Speed	w./w.o. load	m/s	0.15 / 0.14	0.22 / 0.17	0.15 / 0.14	0.22 / 0.17	
	5.9	Acceleration Time	w./w.o. load	s	6.9 / 5.9				
	5.10	Service Brake			electro-magnetic				
Motors	6.1	Traction Motor	60 min. rating	kW	1.5				
	6.2	Lift Motor	10% on time	kW	2.5				
	6.3	Max. Battery Box Size		lxwxh	mm	324 x 827 x 537, 627			
	6.4	Battery Voltage	nominal capacity 5h rating	V/Ah	24 / 450, 625				
	6.5	Battery Weight		kg	373, 457				
8.1	Type of Controller	drive			AC-control				

\* with ISO 2A type fork carriage = + 35 mm

\*\* with ISO 2A type fork carriage = 65 mm

\*\*\* with ISO 2A type fork carriage = 35 x 100 x 800/1000/1200 mm

\*\*\*\* with ISO 2A type fork carriage = 820 mm

\*\*\*\*\* with ISO 2A type fork carriage = 288-744 mm

• on LP 3510 with 4.14 = 1790 mm add 155 mm

▲ on LP 3510 with 4.14 = 1790 mm add 50 mm

## Electric System/Batteries

24-volt electrical system with nominal battery capacities from 450 Ah to 625 Ah.

The battery can be removed horizontally with optional battery compartment rollers.

## Standard Equipment

1. AC traction and steering motor and control system
2. CAN-Bus technology
3. Electronic steering
4. Speed reduction in turns
5. Linear speed control for gradual reduction in speed as platform is raised
6. Proportional lift/lowering
7. Braking system offers frictionless and regenerative electric braking
8. Key switch
9. Operator controls on mast side
10. Information Display
  - LCD display
  - PIN code access capable
  - Travel direction indicator
  - Steer wheel position indicator
  - Hour meter, alarm and lift height indicator
  - Battery discharge indicator with travel interrupt
  - 3 selectable traction performance profiles P1, P2 and P3
11. Storage compartments
12. Cushioned floor mat
13. Lift off steel power unit doors
14. SBE 160 red battery connector
15. Battery compartment with nylon slide blocks
16. Hinged power unit cover and battery top cover for fast service accessibility
17. Emergency power disconnect
18. Vulkollan drive tyre and load wheels

19. Auxiliary mast on LP 3520 with electric lift interrupt
20. Welded forks
21. Horn

## Model Specific Standard Equipment

### LP 3510-1.0 with lift height of 1620 mm

- Overhead guard with large window
- Hinged side gates with power inhibit above 1.2 metre operator stand height
- Pallet guard with pallet sensor and fixation

### LP 3520-1.0 with lift height of 2440 mm

- Overhead guard with large window
- Hinged side gates with power inhibit above 1.2 metre operator stand height

## Optional Equipment

1. Aisle guide rollers for rail guidance
2. Battery compartment rollers
3. SBE 160 grey battery connector
4. Freezer conditioning
5. Work lights only with overhead guard
6. Fork length and spread options

## Model Specific Options

### LP 3520

- ISO 2A type fork carriage
- Load-facing operator controls

## Human Factor

The operator area is designed for visibility and stability for increased operator confidence and comfort. On models with overhead guard, the clear-view mast offers a large window and the low-profile power unit contributes to excellent downward visibility.

## LP 3500 Series

A solid handgrip with easy-to-reach forward/reverse travel switch provides excellent stability and control for the operator during travel, steering, plugging and braking.

The angled steering wheel also contributes to stability. Controls for raise/lower, horn and emergency disconnect are conveniently located for efficient operation and minimal operator fatigue.

The cushioned floor mat absorbs shock and vibration to reduce operator fatigue. The presence switch has a low-profile design and is flush with the floor mat when depressed. Heavy-duty side gates, with three horizontal support rails, communicate security to the operator. For additional safety, a lift cut-out switch disengages truck operation when gates are raised above an operator stand heights of 1200 mm.

A key switch prevents unauthorised operation of the truck. In addition, the display can be configured to require an authorisation PIN code. The information display panel provides concise, clear feedback for the operator during truck operation.

## Control system

The electronic control modules communicate via a CAN-Bus (Control Area Network). The system monitors all on-board systems, makes decisions based on the sensor readings, and subsequently, controls all truck movements safely and smoothly.

## Drive System

The AC traction system delivers high travel speeds and strong acceleration combined with virtually frictionless and regenerative braking. The standard linear speed control provides smooth travel speed transition as lift heights change to increases productivity.

## Technical Information

### Information Display

The Display Panel provides concise, clear feedback for the operator during truck operation. It provides optimum performance and control by offering a communications interface for the operator and intelligent coordination of lift truck systems.

### Steering

Standard on the LP 3500 Series is electronic steering that is microprocessor based. Steering wheel rotation provides minimal steering effort. Drive wheel rotates a full 180° for maximum manoeuvrability. Auto centring drive tyre for trucks equipped with rail guidance. Steer wheel position indicator keeps the operator up to date.

### Power Unit

Power unit is fabricated from heavy-gauge steel. Rugged lift-up steel door, suspended with air dampeners, protects internal power unit components. The lift-up cover offers unrestricted service access. Battery side covers are all steel. A battery top cover provides service access for charging and watering.

### Safety Regulations

Conforms to European safety standards.

Dimensions and performance data given may vary due to manufacturing tolerances. Performance is based on an average size vehicle and is affected by weight, condition of truck, how it is equipped and the conditions of the operating area. Crown products and specifications are subject to change without notice.

